

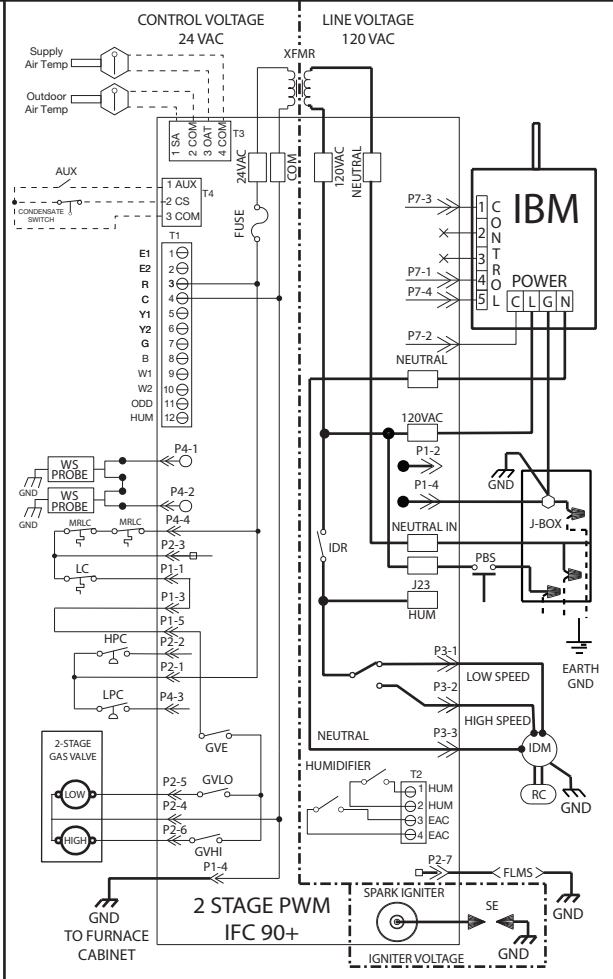
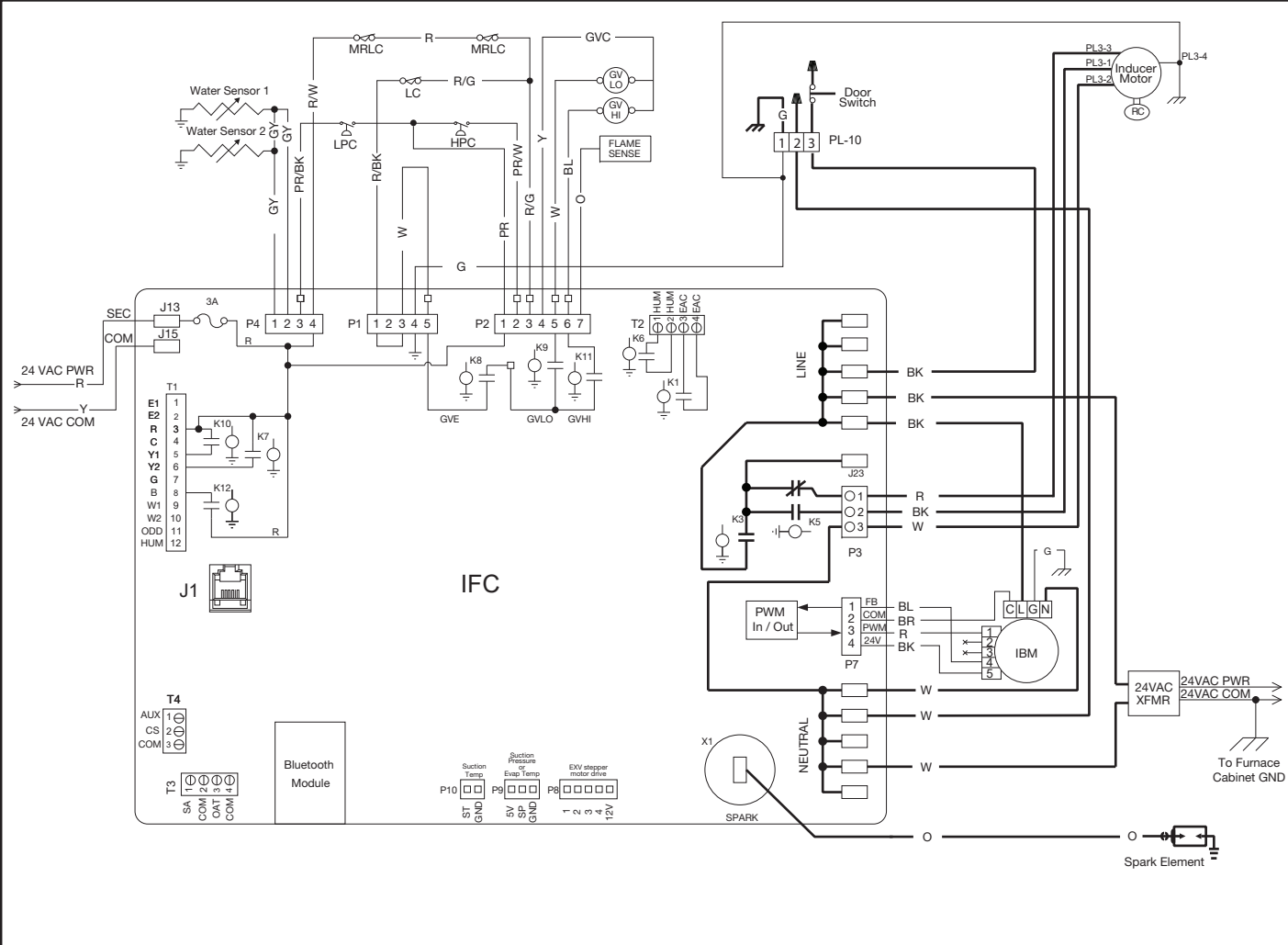
PRINTING INSTRUCTIONS: MAKE EXACTLY 7.000 IN X 10.000 IN. WHITE BACKGROUND WITH BLACK PRINTING

MATERIAL: ADS-4574-01, PRESSURE SENSITIVE, ADHESIVE BACKED MATERIAL

REVISIONS	01	UPDATED WIRE COLORS.	MAB	104161 1/24/2022
	02	REVISED VAC PWR AND VAC COM WIRES COLORS.	VYM	107926 10/3/2022
	03	REVISED SEVERAL WIRES AND COMPONENTS.	VYM	108755 11/24/2022

NO REVISION TO DESIGN, MATERIAL, TOOLING, OR PROCESS IS ACCEPTABLE WITHOUT PRIOR APPROVAL FROM RHEEM THROUGH AN AUTHORIZED CHANGE NOTICE. A REVISED ENGINEERING SPECIFICATION AND A RESAMPLING OF PARTS. THE SUPPLIER IS RESPONSIBLE FOR NOTIFYING RHEEM R & D AND PURCHASING DEPARTMENTS IN WRITING OF ANY CHANGES AFFECTING PRODUCT QUALITY, PERFORMANCE, RELIABILITY, PACKAGING, DELIVERY OR WORKMANSHIP. *ANY DOCUMENTS REFERRED TO ON THIS DRAWING ARE INCLUDED IN THE SPECIFICATIONS FOR THIS COMPONENT*.

NOTE: THE DOTTED BOX NEAR THE DRAWING NUMBER REPRESENTS A .25 X .25 2D DATA MATRIX. SEE ADS-104669-01 FOR DATA MATRIX SPECS.



WIRE COLOR CODE

BK.....BLACK	G.....GREEN	PR.....PURPLE
BR.....BROWN	GY.....GRAY	R.....RED
BL.....BLUE	O.....ORANGE	W.....WHITE
		Y.....YELLOW

ELECTRICAL WIRING DIAGRAM

2 STAGE 90 PLUS CONSTANT CFM WITH PWM MOTOR. 4WAY MULTIPOISE

APPROVED:	CHECKED:	ORIGINAL RELEASE NO.:
MODELED BY: MAB	DATE: 12/22/2021	103889
PART NO.: 90-104961-17	REV: 03	

WIRING INFORMATION

LINE VOLTAGE
 -FACTORY STANDARD _____
 -FACTORY OPTION _____
 -FIELD INSTALLED _____

LOW VOLTAGE
 -FACTORY STANDARD _____
 -FACTORY OPTION _____
 -FIELD INSTALLED _____

REPLACEMENT WIRE
 -MUST BE THE SAME SIZE AND TYPE OF INSULATION AS ORIGINAL (105C. MIN.)

WARNING
 -CABINET MUST BE PERMANENTLY GROUNDED AND CONFORM TO I.E.C., N.E.C., C.E.C., NATIONAL WIRING REGULATIONS, AND LOCAL CODES AS APPLICABLE.

NOTES

① TWO OR 3 MRLC SWITCHES MAY BE PRESENT DEPENDING ON MODEL

② SEE CONTRACTOR APP FOR MOTOR SPEED ADJUSTMENTS.

⏏ = CHASIS GROUND
 ⏏ = EARTH GROUND

COMPONENT CODES

AUX AUXILIARY
 C COMMON
 CC COOLING CONTACTOR
 COM COMMON(C)
 CS CONDENSATE SWITCH
 CT CONTROL TRANSFORMER
 E1/E2 ECONECT COMMUNICATION
 EAC ELECT. AIR CLEANER OUTPUT
 EXV ELECTRONIC EXPANSION VALVE
 FB RPM FEEDBACK
 FLMS FLAME SENSOR
 FR FAN RELAY
 FU FUSE
 GND GROUND
 GVC GAS VALVE COMMON
 GVE GAS VALVE ENABLE
 GVR GAS VALVE RELAY
 GVHI GAS VALVE HIGH

GVLO GAS VALVE LOW
 HALC HEAT ASSISTED LIMIT CONTROL
 HPC HIGH PRESSURE CONTROL
 HUM HUMIDIFIER OUTPUT
 IBM INDOOR BLOWER MOTOR
 IDM INDUCED DRAFT MOTOR
 IDR INDUCED DRAFT RELAY
 IFC INTEGRATED FURNANCE CONT
 LC LIMIT CONTROL
 LINE 120VAC(L1)
 LPC LOW PRESSURE CONTROL
 MGV MAIN GAS VALVE
 MRLC MAN. RESET LIMIT CONTROL
 NEU NEUTRAL (N/L2)
 NPC NEGATIVE PRESSURE CONT.
 OAT OUTDOOR AIR TEMPERATURE SENSOR

ODD ON DEMAND DEHUMIDICATION
 PL PLUG
 PS PRESSURE SWITCH
 PWM PULSE WIDTH MODULATION
 RC RUN CAPACITOR
 SE SPARK ELECTRODE
 SEC SECONDARY POWER/24VAC
 SP SUCTION PRESSURE
 ST SUCTION TEMP.
 TM THERMISTOR
 WS WATER SENSOR
 ⏏ WIRE NUT